

FL Workpods



Product Brief

FL Workpods – A slick & cleanliness design panel consist of curving and flat profile which able to form a private concentration workpods that can easily place in public area, office workspace and cooperation office. Modular design of the product can provide a flexibility to construct various size of the space you need for informal meeting, private conversation, collaboration team discussion, utilities and etc.

Thickness

42mm thickness inclusive of laminated fabric layer.

Dimension

This system comes with the variety of height and width to meet all workstation design requirements.

Height: 1200mm, 1500mm, 1600mm

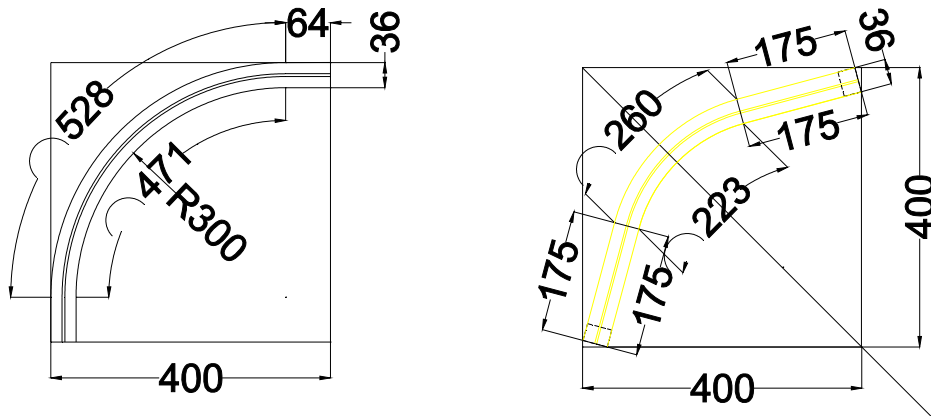
Width for Straight Panel: 150mm-1200mm

90Deg Panel: 400mm x 400mm (refer below diagram)

120Deg Panel: 400mmx400mm (refer below diagram)

Profile

FL Workpods consist of 2 profiles in 90degree and 120degree.



Wire Management

Wire management can be added to FL Workpods externally via pre-fix floor box and channeled to the worktop or seating with the option of FABRIC and PVC flexible conduit. Third party device like AH Mayer, CMS and soft wiring are suitable and easy to adapt for the system.

Build-in wire management solution are available on customization on demand and check on further details with the manufacturer.

Panel options

Panel comes with following options: -

1. Full fabric with tile effects.

Accessories

The following accessories enhances the deliverable features of this system by: -

1. Magnetic Hanging White board

Integration and Connection

The FL workpods are connectable from panel to panel within the product. Panel stabilizer are available for continue straight joint and freestanding configure.

Maintenance

FL Workpods are easy to clean and maintain. The Fine-pored, relatively non-absorbent surface of fabric prevents liquids from immediately penetrating the fibers. Stains can be avoided by quickly wiping the surface with damp cloth before liquids have a chance to sock in.

Recommendations for maintenance:

Vacuum regularly (no brush attachment) and always treat stains as quickly as possible.

- Blot liquid spills
- Remove dried-on debris with a stationery eraser/rubber as recommended.

Engage professional cleaner to handle the tough stain as recommended or simply purchase a new panel as replacement from manufacturer will be the non-brainer solutions.

Material

100% Polyester Fabric, Fire Resistant Fabric and Acoustical Performance Fabric could be use on to FL Workpods external finishes with personal preference with different functionality.

Fabric Selection

BRUTE



BR-16GY

PALOMA



BR-23BL

STELLAR



BR-20OR

CINNABAR



BR-24BL

SURF



BR-21PU

PLUM



BR-17BR

BRINDLE



BR-27GR

CACTUS



BR-26GR

HYDRO



BR-22PU

EGGPLANT



BR-18BR

BUNGEE



BR-25GR

DRAGON



BR-28BL

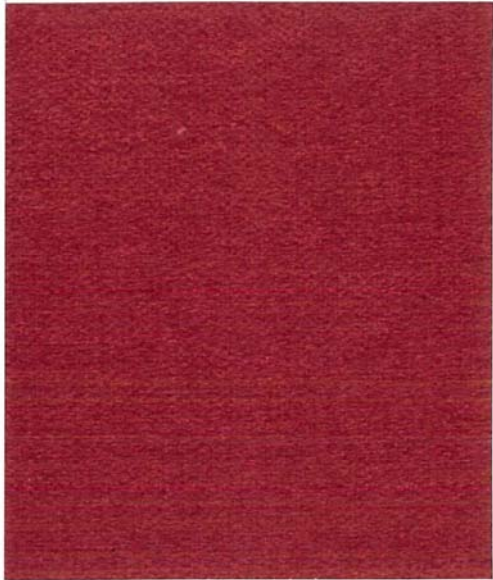
MIDNIGHT



BR-29BA

BELUGA

ALEXANDRA



A-101RE RED



A-102WH WHITE



A-112BR GOLD



A-105WH BEIGE



A-113BR CHARCOAL



A-110PU PURPLE



A-116GR LIME



A-100GY SILVER



A-115BR BROWN



A-117BL BLUE



A-104GR GREEN



A-108GY GREY



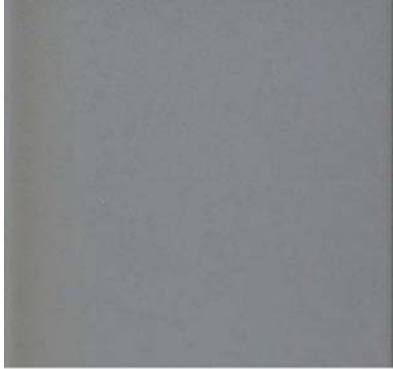
A-107BA BLACK

Remarks: More fabric option are available and check with manufacturer for more information.

MFC Selection



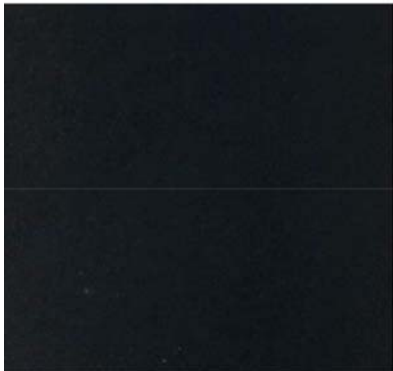
Powder Coat Selection



Silver Epoxy



Graphite Epoxy



Black Epoxy



White Epoxy



Champagne Epoxy

**FINISHES FOR
EPOXY & TRIM**

Configurations



FL Workpods Meeting for 4

FL Workpods for 4 can help organizations to achieve high performance discussions or informal meeting with the option of higher wall to enhance sound reduction and help reduce visual distractions.



FL Workpods C-Pond

Provide a temporary C shape workspace with capacity to accommodate 4 persons for a private discussion.



FL Workpods Twin

Suitable for two people to simultaneously work side by side.

